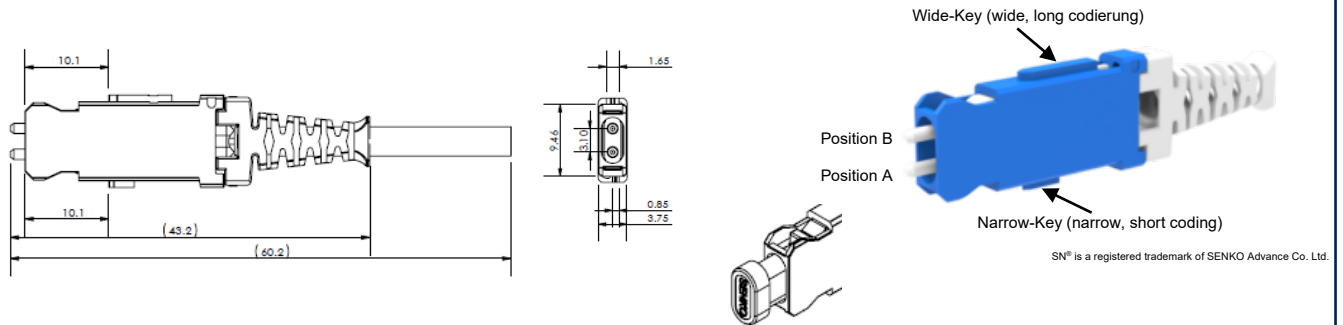


SN® EZ-Flip Senior connector



Properties and applications

- SN® (SENKO NANO) EZ-Flip of category Very-Small-Form-Faktor (VSFF) connector, Senior type
- Even of its miniature design the connector has a rugged housing with central strain relief and push-pull-boot, with which the connector can be plugged and un-plugged
- A/B polarity easy and secure, toolless changeable
- To attach transceivers with SN® interface and for MEGA-HIGH-DENSITY (MHD) infrastructure cabling

Standards

IEC 61754-36 (in this standard the SN® is called SAC)

Material

- Ferrule: Zirconia ceramic, Ø 1.25 mm
- Body: TP, flammability UL94-V0
- Push-Pull-Boot: TPR, flammability UL94-V0
- Protection cap: TPR, flammability UL94-V0

Optical properties

The quality feature of the connector at your product is identified by the part number:

- BASIC: Part numbers like XXXAXXXX
- PURE: Part numbers with "P" at their end, XXXAXXXXP

Details about PURE see Produktinfo_Qualitätsmerkmal-PURE_od

Insertion Loss IL acc. to IEC61300-3-4, Method B, against reference, maximum [dB]:

	Quality feature	BASIC	PURE
- Singlemode SM, 9/125µm		0.30	0.20
- Multimode OM1, 62.5/125µm		0.30	---
- Multimode low IL OM2, OM3, OM4, OM5, 50/125µm		0.15	0.15

Insertion Loss IL „random mated“ acc. to IEC61300-3-34, Method 2, [dB]:

Quality feature	BASIC	mean value	maximum
- Singlemode SM, 9/125µm		0.13	0.50
- Multimode low IL OM2, OM3, OM4, OM5, 50/125µm		0.03	0.27

Insertion Loss IL quality feature PURE “random mated” application limit value, maximum [dB]:

- Singlemode SM, 9/125µm	97%	0.25
- Multimode low IL OM2, OM3, OM4, OM5, 50/125µm	100%	0.40

Dieses Dokument ist urheberrechtlich geschützt • This document is protected by copyright • Rosenberger OSI GmbH & Co. OHG

SN[®] EZ-Flip Senior connector

Optical properties

Return Loss RL acc. to IEC61300-3-6, Method 1, against reference, minimum [dB]:

	Quality feature	BASIC	PURE
- Singlemode SM, 9/125µm, PC 0°		45	45
- Singlemode SM, 9/125µm, UPC 0°		55	55
- Singlemode SM, 9/125µm, APC 8°		65	70
- Multimode all classes		35	40

Mechanical properties

- Mating cycles min. 500, IL increase < 0.2 dB
- Strain relief max. 70 N, dependent on cable type

Thermal properties

- Operation temperature range -40°C to +85°C, dependent on cable type
- Storage temperature range -40°C to +85°C

Cable diameters

- Round cable types Ø 1.2 to 2.0 mm

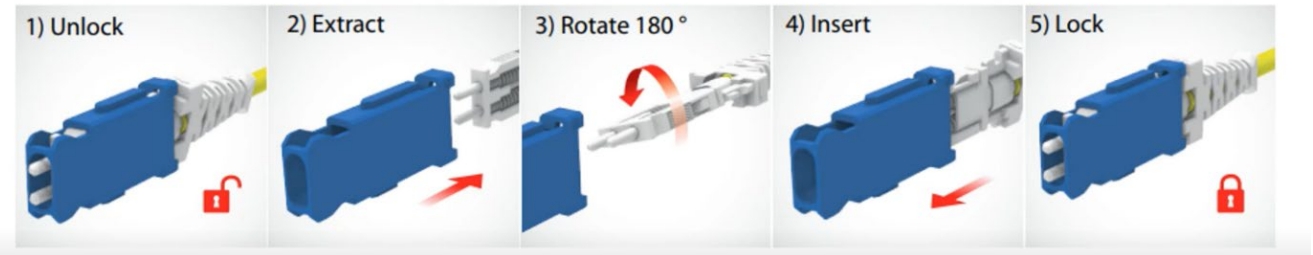
Colors

Connector body / boot:

- Singlemode SM, 9/125µm, PC and UPC 0° blue / white
- Singlemode SM, 9/125µm, APC 8° green / white
- Multimode OM4, 50/125µm violet / white

Polarity change

Source www.senko.com



While the information has been carefully compiled to the best of our knowledge, nothing is intended as representation or warranty on our part and no statement herein shall be construed as recommendation to infringe existing patents. In the effort to improve our products, we reserve the right to make changes judged to be necessary.

Draft	Date	Approved	Date	Rev.	Engineering change number	Name	Date
H. Jungbäck	2023-05-31	L. Brücher	2023-05-31	001	---	---	---