

All dimensions are in mm; According to ISO 2768m-H

Properties

The Rosenberger Q-RMC connector (Rosenberger Multifiber Connector) is especially designed for use in harsh outdoor environment. A standard 12 fiber MT ferrule is implemented in it's metal housing. The connector is IP67 weather proofed. The push-pull locking mechanism allows a quick and easy installation without needing any tools.

Material for connectors

Ferrule/Sleeve:	MT PPS
Body :	Brass, flash white bronze plating
Crimp Sleeve	Copper, nickel plating
Boot :	TPV
Gasket/Sealing:	Fluorsilikon
Dust cap:	Silicon

Optical data

Insertion Loss :	S/M	max.
	M/M	0.80 dB
		0.70 dB
Return Loss :	S/M	≥50 dB(PC)
	M/M	≥20 dB

Mechanical data

Mating cycle	≥ 100
Strain relief	400 N*

Environmental data

Operation temperature range	-40°C to +80°C*
Storage temperature range	-40°C to +80°C*

Dieses Dokument ist urheberrechtlich geschützt • This document is protected by copyright • Rosenberger OSI GmbH & Co. OHG

Suitable cables

Fiber types
Cable types

SM and MM, other types of fiber available on request
Loosetube, gel filled, $\varnothing 6\text{mm}$;
with and without boot, with strain relief

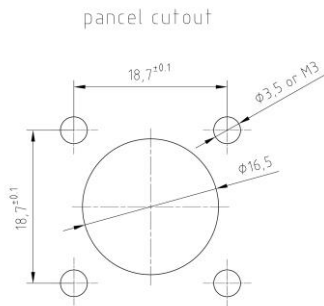
Socket with Ribbon 900 μ , no strain relief



Dust Cap

Metal, Silicon

Note for installation



Packaging

Standard Packaging
**depending on cable type*

Dieses Dokument ist urheberrechtlich geschützt • This document is protected by copyright • Rosenberger OSI GmbH & Co. OHG

Draft	Date	Approved	Date	Rev.	Engineering change number	Name	Date
J. Hu	24.05.2016	S. Chen	24.05.2016	002	18-0019	A.Burggraf	08.11.2018