






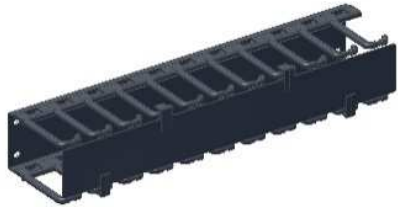
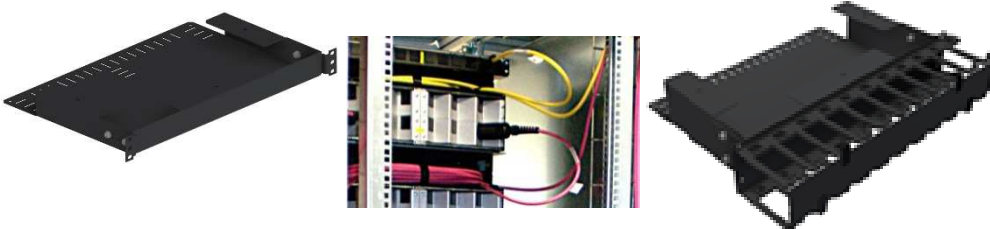


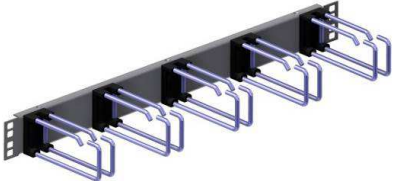
19" panel accessories

PRODUCT INFORMATION




Description	Part number	Picture	
<p>19" Patchcord manager</p> <ul style="list-style-type: none"> - height units saving (0HU) mountable in front of 19" panels - with foldaway front cover - depth 98mm <p>1 HU 2 HU</p>	<p>RAL9005 black</p> <p>111A0473 111A0474</p>	<p>1HE with closed front cover</p> 	<p>1HE with open front cover</p> 
<p>Labeling field carrier</p> <ul style="list-style-type: none"> - height 30mm - low magnetic adhesive <p style="text-align: right;">length 50mm length 390mm</p>	<p>111A0442 111A0443</p>		

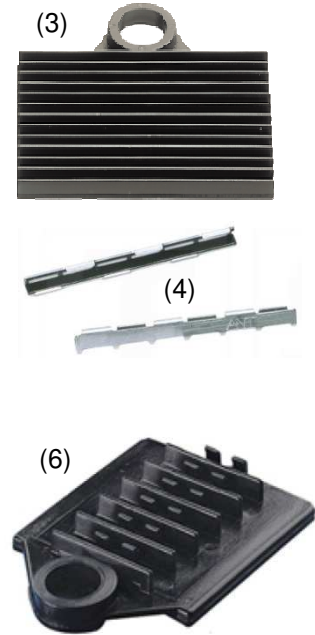
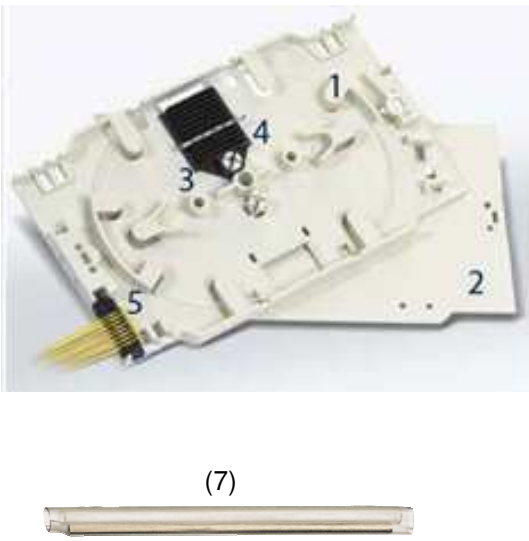

Description	Part number	Picture
<p>Port address fields</p> <ul style="list-style-type: none"> - can be filled with your individual port addresses - low magnetic adhesive <p>For SMAP-G2 HD 1HU:</p> <ul style="list-style-type: none"> - 3/3 height and 6/6 OCTO width partition rows 1/2/3, columns A01 to F04 - 3/3 height and 4/4 DUODECIM width partition rows 1/2/3, columns A01 to D06 - 3/3 height and 3/3 SEDECIM width partition rows 1/2/3, columns A01 to C08 <p>For SMAP-G2 HD 2HU:</p> <ul style="list-style-type: none"> - 2 x 3/3 height and 6/6 OCTO width partition rows 1/2/3/4/5/6, columns A01 to F04 - 2 x 3/3 height and 4/4 DUODECIM width partition rows 1/2/3/4/5/6, columns A01 to D06 - 2 x 3/3 height and 3/3 SEDECIM width partition rows 1/2/3/4/5/6, columns A01 to C08 <p>For SMAP-G2 UHD 1HU:</p> <ul style="list-style-type: none"> - 4/4 height and 6/6 OCTO/SEDECIM width partition rows 1/2/3/4, columns A01 to F04 - 4/4 height and 4/4 DUODECIM width partition rows 1/2/3/4, columns A01 to D06 	<p>111A3009</p> <p>111A3010</p> <p>111A3011</p> <p>111A3003</p> <p>111A3004</p> <p>111A3005</p> <p>111A3001</p> <p>111A3000</p>	

Description	Part number	Picture
<p>19" horizontal cable manager, depth 114mm</p> <p>1 HU 2 HU</p> <p>For more see our product information Cable Management.</p>	<p>RAL9005 black</p> <p>111A0454 111A0453</p>	
<p>19" cable overlength panel to be mounted behind cable managers to store trunk cable overlengths</p> <p>1 HU 2 HU</p> <p>Cable managers must be ordered separately.</p>	<p>RAL9005 black</p> <p>142A0530 142A0531</p>	
<p>19" 1HU Patchcord guide, depth 56mm</p> <p>RAL9005 black RAL7035 lightgrey</p>	<p>111A0472 111A0450</p>	
<p>19" 1 HU Patchcord overlength panel</p>	<p>RAL7035 lightgrey</p> <p>111A0701</p>	
<p>19" 1HU Patchcord guide</p> <p>depth 75mm RAL9005 black depth 75mm RAL7035 lightgrey depth 110mm RAL9005 black depth 110mm RAL7035 lightgrey</p>	<p>111A0464 111A0470 111A0467 111A0469</p>	

Description	Part number	Picture
<p>Labeling fields</p> <p>Suitable for all Rosenberger OSI panels and most commercially available panels, comprising:</p> <ul style="list-style-type: none"> 1 HU 2 HU 3 HU 4 HU 5 HU 	<p>RAL9005 black</p> <p>171A0002 172A0002 173A0002 174A0002 175A0002</p>	
<p>1 HU patchcord guides</p> <p>For routing and fixing patchcords per height unit. 1 HU to both sides. The patchcord guide prevents excessively small bending radii which increase attenuation in the patchcord. Set consisting of 1 HU left-hand and right-hand patchcord guides with labeling fields and Velcro strips, M6 screws and cage nuts. Suitable for use in 600 mm wide cabinets.</p> <p>For 1 HU panel For 2 HU panel For 3 HU panel For 4 HU panel For 5 HU panel</p>	<p>RAL9005 black</p> <p>171A0006 172A0006 173A0006 174A0006 175A0006</p>	
<p>PreCONNECT® universal cable fixture for cable diameters 6 to 18mm</p> <p>Set: Universal cable fixture incl. 2 cable ties</p>	<p>111A0650</p>	

Description	Part number	Picture
<p>19" raised floor holder</p> <p>Robust fixture for the extremely versatile, multipurpose, simple fast installation of 19" panels and active equipment in raised floors.</p>		
<p>19" 4HU raised floor holder RAL9005 black</p>	<p>099A0052</p>	
<p>19" Patchfield protector</p> <p>1HU</p> <p>2HU</p> <p>3HU</p> <p>4HU</p>	<p>099A0059</p> <p>099A0060</p> <p>099A0066</p> <p>099A0083</p>	

Description	Part number	Picture
<p>Divisible conduit</p> <p>Self-extinguishing and halogen-free</p> <p>NW12: ID = 11.0mm / OD = 15.6mm NW17: ID = 15.5mm / OD = 21.1mm NW29: ID = 27.2mm / OD = 34.5mm</p>	<p>099A0198 099A0199 099A0205</p>	
<p>Divisible gland for conduit</p> <p>NW12, M20x1.5 NW17, M25x1.5 NW29, M32x1.5</p>	<p>750672 750673 on request</p>	
<p>Divisible lock nut</p> <p>M20x1,5 M25x1,5 M32x1,5</p>	<p>750662 750671 on request</p>	
<p>Cable glands and blind covers</p>	<p>on request</p>	
<p>Strain relief for cable glands</p> <p>for PG13,5 for PG16 for PG21 for metric cable glands on request</p>	<p>111A0420 111A0421 111A0422</p>	

Description	Part number	Picture	
<p>Splice cassette and accessories</p> <p>(1) splice cassette (2) cover for splice cassette (3) holder for 12 crimp splice protectors (4) crimp splice protector (5) strain relief for 900µm buffered fiber (6) holder for 6 shrink splice protectors (7) shrink splice protector</p>	<p>111A0008 111A0015 111A0000 111A0001 111A0009 111A0002 111A0003</p>		
<p>Blind covers for front plate adapter holes</p> <p>ST SC-Duplex SC-Simplex, LC-Duplex, E2000®-Simplex</p>	<p>111A0013 111A0014 111A0016</p>		

About Rosenberger OSI:

Since 1991, Rosenberger Optical Solutions & Infrastructure (Rosenberger OSI) has been an expert in innovative fiber optic cabling infrastructure and service solutions for Data Centers, Local Networks, Telecom and Industrial.

The products and services can be found wherever largest amounts of data have to be transferred quickly and securely. In addition to the development and production of a broad portfolio of fiber optic and copper cabling systems, Rosenberger OSI also offers a variety of services such as planning, installation and maintenance of cabling infrastructure. Rosenberger OSI has been a part of the globally operating Rosenberger Group since 1998, a worldwide leading provider of high-frequency-, high-voltage-, and fiber-optic-connection solutions headquartered in Germany.

For further information, please visit: www.rosenberger.com/osi

Rosenberger

Rosenberger-OSI GmbH & Co. OHG

Optical Solutions & Infrastructure | Endorferstr. 6 | 86167 Augsburg | Telephon: +49 821 24924-0
info-osi@rosenberger.com | www.rosenberger.com/osi

Rosenberger® is a registered trademark of Rosenberger Hochfrequenztechnik GmbH & Co. KG. All rights reserved. © Rosenberger 2017

For technical reasons, we reserve us the right to make any deviations from the illustrations in the product information
Transfer to third party only by authority of Rosenberger-OSI GmbH & Co. OHG- All rights reserved.

Creation date: 2019-10-29
Valid since: 2020-03-24
Revision: 002