



Applications

- Freely configurable, extremely modular universal box for a wide range of installation environments in which 19" applications are either not necessary or not possible.

Properties

- For up to 24 channels (48 fibers)
- Universal box available as distribution panel and as splice panel:
 1. DISTRIBUTION PANEL
 - Assembled cables can be inserted on both sides, fixed in place and connected to an internal patchfield.
 2. SPLICE PANEL
 - Buffered-fiber pigtailed or cable pigtailed or pigtail bundle cables inserted ready for splicing
 - To splice pigtailed to cables, the cables can be fed in and fastened at the appropriate side on the front of the unit.
 - To connect pigtailed to assembled cables, the cables can be connected to the pigtailed in the patchfield on the other side of the front of the unit.
 - Cables can also be spliced directly to one another (cable splicing).
 - Modular attachments for the insertion and fixing of cables are available for both variants
 - The universal box is equipped as standard with SMAP ½ part front plates with fiber optic adapters
 - Material and color:
 - Housings: Plastic, RAL 7035 (light gray), impact-resistant, halogen-free
 - Attachments: powder-coated steel, RAL 7035 (light gray)
 - Depending on the mounted cable guides, the universal box is at least dustproof as per IP50 through to waterproof as per IP66.
 - Dimensions (L x W x H): 360 x 254 x 111 mm

Optional

- SMAP ½ part front plate with copper modules in patchfield on request
- External adapter front plates available for mounting on the front faces on request

Form of delivery

- On request. Dependent on variant and configuration
- With blind covers for unneeded square interfaces




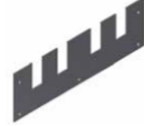

Dieses Dokument ist urheberrechtlich geschützt • This document is protected by copyright • Rosenberger OSI GmbH & Co. OHG





Part numbers					
Basic panel					
Number of channels / fibers	Type of adapter	Distribution panel		Splice panel	
		SM	OM3	SM	OM3
6 CH / 12 F	LC-Duplex	118A4001	118A4005 OM3	118A4301	118A4304 OM3
12 CH / 24 F	LC-Duplex	118A4002	118A4006 OM3	118A4302	118A4305 OM3
24 CH / 48 F	LC-Duplex	118A4003	118A4007 OM3	118A4303	118A4306 OM3
36 CH / 72 F	LC-Duplex	118A4004	118A4008 OM3	1	1
48 CH / 96 F	24 LC-Quad \cong 48 LC-Duplex	118A4009	118A4010 OM3	1	1
6 CH / 12 F	MU-Duplex-Horizontal	118A4011	118A4016 OM3	118A4307	118A4310 OM3
12 CH / 24 F	MU-Duplex-Horizontal	118A4012	118A4017 OM3	118A4308	118A4311 OM3
24 CH / 48 F	MU-Duplex-Horizontal	118A4013	118A4018 OM3	118A4309	118A4312 OM3
36 CH / 72 F	MU-Duplex-Horizontal	118A4014	118A4019 OM3	1	1
48 CH / 96 F	MU-Duplex-Horizontal	118A4015	118A4020 OM3	1	1
6 CH / 12 F	SC-Duplex metal	118A4021	118A4023 OM3	118A4313	118A4315 OM3
12 CH / 24 F	SC-Duplex metal	118A4022	118A4024 OM3	118A4314	118A4316 OM3
6 x 6 CH / 6 x 12 F (for 12 F MTP [®])	MTP [®]	118A4025	118A4026 OM3	on request	on request

Empty box without coupler plate and no splice cassette interface 118A4000

Other adapter types and numbers of fibers on request. ¹The maximum possible number of fibers for the splice panel is limited to 48 because larger numbers of fibers cannot be spliced due to insufficient space in container. MTP[®] is a registered trademark of US-Conec Ltd.

Part numbers
Attachments

IP50 without seal				
Blind plate	Plate for 4 x PG	Plate for 6 x PG	Plate for 4 x Trunk-cable dividers	Lip seal
				
118A4500	4 x PG 21 118A4501	6 x PG 13,5 118A4502 6 x PG 16 118A4503 6 x PG 21 118A4504	118A4505	118A4506

IP66 with seal			Raised floor holder For mounting our universal box in raised floors	
			 099A0051	
118A4507	4 x PG 21 118A4508	6 x PG 13,5 118A4509 6 x PG 16 118A4510 6 x PG 21 118A4511		

While the information has been carefully compiled to the best of our knowledge, nothing is intended as representation or warranty on our part and no statement herein shall be construed as recommendation to infringe existing patents. In the effort to improve our products, we reserve the right to make changes judged to be necessary.

Draft	Date	Approved	Date	Rev.	Engineering change number	Name	Date
P. Maier	23.05.18	H. Jungbäck	23.05.18	001			

Dieses Dokument ist urheberrechtlich geschützt • This document is protected by copyright • Rosenberger OSI GmbH & Co. OHG