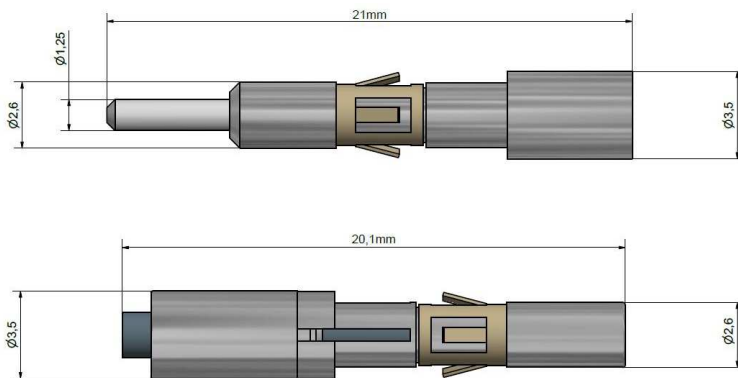


Optical Contact  
Mini- Inserts



All dimensions are in mm; tolerances acc. ISO 2768 m-H

**Properties**

Fiber optic inserts for using in connector housings according to DIN EN 60603-2 design M or D-Sub housings, etc. Due to Snap-in mechanism the extraction is used with removal tool.

**Material for connectors**

Ferrules: ceramic  
Connector Body: metal (ARCAP)

**Optical data**

Insertion Loss SM typical < 0,5 dB  
MM typical < 0,4 dB

**Mechanical data**

Mating cycles 500 (depending on the housing system)

**Environmental data**

Operation temperature range: -40°C~+85°C (depending on the cable)

**Suitable cables**

For cable-Ø Ø0.9 mm – Ø1.8 mm

**Part numbers**

	Pin Contact	Socket Contact
Ceramic Ferrule ID 126µm	98MS301-126	98MK301-126
Ceramic Ferrule ID 127µm	98MS301-127	98MK301-127
Extraction tool	98W12-MINI	

While the information has been carefully compiled to the best of our knowledge, nothing is intended as representation or warranty on our part and no statement herein shall be construed as recommendation to infringe existing patents. In the effort to improve our products, we reserve the right to make changes judged to be necessary.

Draft	Date	Approved	Date	Rev.	Engineering change number	Name	Date
Y.Zhang	08.02.2017	H.Jungbäck	08.02.2017	008	---	P.Maier	31.01.2022