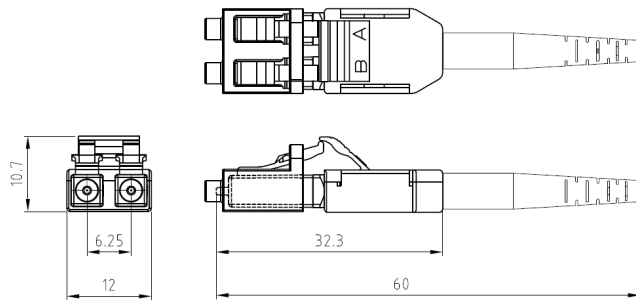


LC-COMPACT Shortboot connector



Properties and applications

- LC-Duplex connector with compact and rugged backshell with short central strain relief and boot for round cable (Uniboot)
- A/B polarity can be easily tool-less changed
- The short boot enables the use of the connector in applications with low depth, like ODF Optical Distribution Frames
- Translucence duplex protection cap, fast and secure to handle and permeable for the light of laser pointers (visual fault locators)

Standards

LC-Duplex acc. to IEC/DINEN 61754-20 and EIA/TIA 604-10

Material

- Ferrule: Zirconia ceramic, Ø 1.25 mm
- Body: PEI, flammability UL94-V0
- Boot: TPE, flammability UL94-V0
- Protection cap: POM, flammability UL94-HB

Optical properties

The quality feature of the connector at your product is identified by the part number:

- BASIC: Part numbers like XXXAXXXX
- PURE: Part numbers with "P" at their end, XXXAXXXXP

Details about PURE see Produktinfo_Qualitätsmerkmal-PURE_od

Insertion Loss IL acc. to IEC61300-3-4, Method B, against reference, maximum [dB]:

| | Quality feature | BASIC | PURE |
|---|-----------------|-------|------|
| - Singlemode SM, 9/125µm | | 0.30 | 0.20 |
| - Multimode OM1, 62.5/125µm | | 0.30 | --- |
| - Multimode low IL OM2, OM3, OM4, OM5, 50/125µm | | 0.15 | 0.15 |

Insertion Loss IL „random mated“ acc. to IEC61300-3-34, Method 2, [dB]:

| Quality feature | BASIC | mean value | maximum |
|---|-------|------------|---------|
| - Singlemode SM, 9/125µm | | 0.13 | 0.50 |
| - Multimode low IL OM2, OM3, OM4, OM5, 50/125µm | | 0.03 | 0.27 |

Insertion Loss IL quality feature PURE "random mated" application limit value, maximum [dB]:

| | | |
|---|------|------|
| - Singlemode SM, 9/125µm | 97% | 0.25 |
| - Multimode low IL OM2, OM3, OM4, OM5, 50/125µm | 100% | 0.40 |

GHMT PVP certificate
No.: c6997X-XX
No.: c6998X-XX



LC-COMPACT Shortboot connector

Optical properties

Return Loss RL acc. to IEC61300-3-6, Method 1, against reference, minimum [dB]:

| | Quality feature | BASIC | PURE |
|----------------------------------|-----------------|-------|------|
| - Singlemode SM, 9/125µm, PC 0° | | 45 | 45 |
| - Singlemode SM, 9/125µm, UPC 0° | | 55 | 55 |
| - Singlemode SM, 9/125µm, APC 8° | | 65 | 70 |
| - Multimode all classes | | 35 | 40 |

Mechanical properties

- Mating cycles min. 1000, IL increase < 0.2 dB
- Strain relief max. 100 N, dependent on cable type

Thermal properties

- Operation temperature range -40°C to +85°C, dependent on cable type
- Storage temperature range -40°C to +85°C

Cable diameters

- Round cable types Ø 2.0 to 3.0 mm

Colors

Connector body / boot:

- Singlemode SM, 9/125µm, PC and UPC 0° blue / blue
- Singlemode SM, 9/125µm, APC 8° green / green
- Multimode OM1, 62.5/125µm beige / white
- Multimode OM2, OM3, OM4, OM5, 50/125µm black / black

Polarity change

1) Remove the connector top cover by inserting a fingernail or a small lever into the crack that separates the two halves.

2) Carefully swap position of the connectors by lifting them up and out of the bottom housing.

3) Reposition the top cover and snap into place.



While the information has been carefully compiled to the best of our knowledge, nothing is intended as representation or warranty on our part and no statement herein shall be construed as recommendation to infringe existing patents. In the effort to improve our products, we reserve the right to make changes judged to be necessary.

| Draft | Date | Approved | Date | Rev. | Engineering change number | Name | Date |
|-------------|------------|-------------|------------|------|---------------------------|-------------|------------|
| H. Jungbäck | 2018-12-13 | A. Burggraf | 2018-12-13 | 009 | ---- | H. Jungbäck | 2022-10-07 |