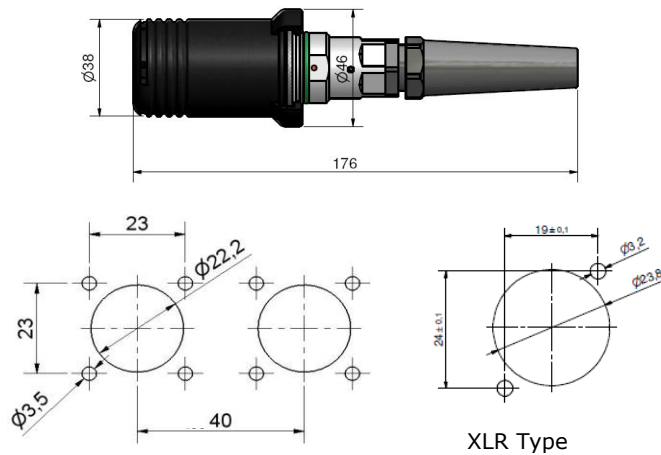


Heavy Duty 600 Connectivity system



All dimensions are in mm; tolerances acc. ISO 2768 m-H

Properties

Heavy Duty 600 is a robust is low optical reflectance with hermaphroditic coupling mechanism. The connector can be equipped with 6 optical With optional APC polished ferrules it fulfils even the newest return loss requirements for high data rates. Two connectors or a connector and a receptacle can be mated. The alignment sleeve corpus can be removed for easy cleaning. Undetachable protection caps can be mated together to avoid contamination.

Interface

No Standard

Material for connectors

Ferrule/alignment :	Zirconia ceramic,
Body :	Brass, flash white bronze plating
Sealing elements:	Silicon Rubber

Optic ferrule

6 X , Ø 2,5 mm (APC possible)

Optical data

Insertion Loss :	Typical	max.
	0.30 dB	0.60 dB
Return Loss :	S/M	≥ 45 dB(PC) ≥ 65 dB(APC)
	M/M	≥ 20 dB

Mechanical data

Mating cycle	≥ 5000 an inspection of the contacts is recommended after each 500.
Cable strain relief	> 1500N straight pull and > 100N pulling under 90°

Environmental data

Operation temperature range	-40°C to +85°C
Storage temperature range	-40°C to +85°C

Limitations are possible due to the used cable type

Vibration	IEC 61300-2-1
Salt mist	IEC 61300-2-26. 30 days
Ingress Protection, mated	EN 60529 IP 67
RoHS	Compliant

Dieses Dokument ist urheberrechtlich geschützt • This document is protected by copyright • Rosenberger OSI GmbH & Co. OHG

Heavy Duty 600 Connectivity system

Ingress Protection

IP67 mated or with attached protection caps according to EN 60529

Suitable cables

Fiber	S/M, G652D, G657A1, G657A2
Round Cable Types :	M/M, 62.5/125µm, 50/125µm OM2, OM3 and OM4
Receptacle cords:	Ø 6 – 9.0 mm(Breakout or MiniBreakout)
	Simplex cable Ø 1.7 or 2.1mm

Receptacle

Rectangular flange □ 29 mm. Jam nut receptacle on request.

Packaging

Standard Packaging.

Dieses Dokument ist urheberrechtlich geschützt • This document is protected by copyright • Rosenberger OSI GmbH & Co. OHG

While the information has been carefully compiled to the best of our knowledge, nothing is intended as representation or warranty on our part and no statement herein shall be construed as recommendation to infringe existing patents. In the effort to improve our products, we reserve the right to make changes judged to be necessary.

Draft	Date	Approved	Date	Rev.	Engineering change number	Name	Date
Y. Zhang	16.05.2017	H. Jungbäck	16.05.2017	005	---	Y. Zhang	06.12.2017